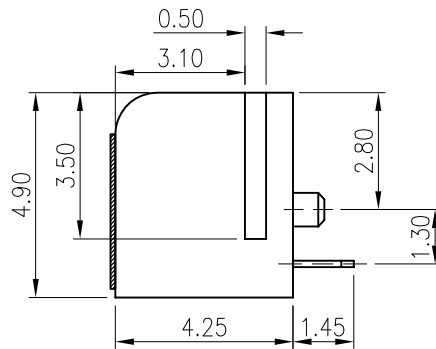


RECOMMENDED P.C.B. LAYOUT (TOP VIEW)
(P.C.B. LAYOUT TOLERANCE: ±0.10)



NOTES:

1. MATERIAL:
 - 1.1 HOUSING: THERMOPLASTIC, HIGH TEMP. UL94V-0; LCP ; COLOR:BLACK.
 - 1.2 CONTACT: COPPER ALLOY
2. FINISH:
 - 2.1 CONTACT:
 - 1:GOLD FLASH PLATING OVER ALL
 - 50U"MIN NICKEL UNDER PLATING
3. REFLOW SOLDER CAPABLE TO 260°C PER ACES SPEC.
4. SPEC. PLS. REFER TO PS-54969-xxxxx-xxx
5. PACKAGE PLS. REFER TO 54969-xxxxx-xx-TRP
6. PART NUMBER:

54969-XXX X X-XXX

NO OF CKT
005: 5PIN

XXX	COLOR
001	BLACK

PACKING
0:Tape & Reel
4:Tape & Reel With Mylar

PLATING
2: GOLD FLASH

QUALITY SYMBOLS MAJOR Ⓢ CRITICAL Ⓢ	DRAWN BY JINTAO	DATE 20/05/14	
	CHECKED BY BRAVE	DATE 20/05/14	
GENERAL TOLERANCES (UNLESS SPECIFIED) X. ±0.5 .X ±0.25 .XX ±0.15 .XXX ±0.1 ANGLES ±2°	APPROVED BY BRAVE	DATE 20/05/14	TITLE 1.7mm Pitch Battery Female Conn. T/H S/R R/A H=4.2mm
	UNITS mm		SIZE A4
SCALE 1:1	SHEET NO. 1 OF 1	REV B	DWG NO. 54969-XXXXX-XXX